

Thinking
Works

EONMA

Specification Guide

EONA

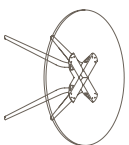
**Stylish and sustainable,
EONA brings a new lease
of life.**

**Manufactured from
post-consumer recycled
materials, EONA is living
proof that stunning
design and environmental
consideration can go hand
in hand.**

EONA

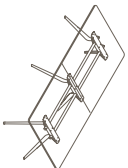
Round/Square

6



Rectangle

7-9



Features

10



EONNA

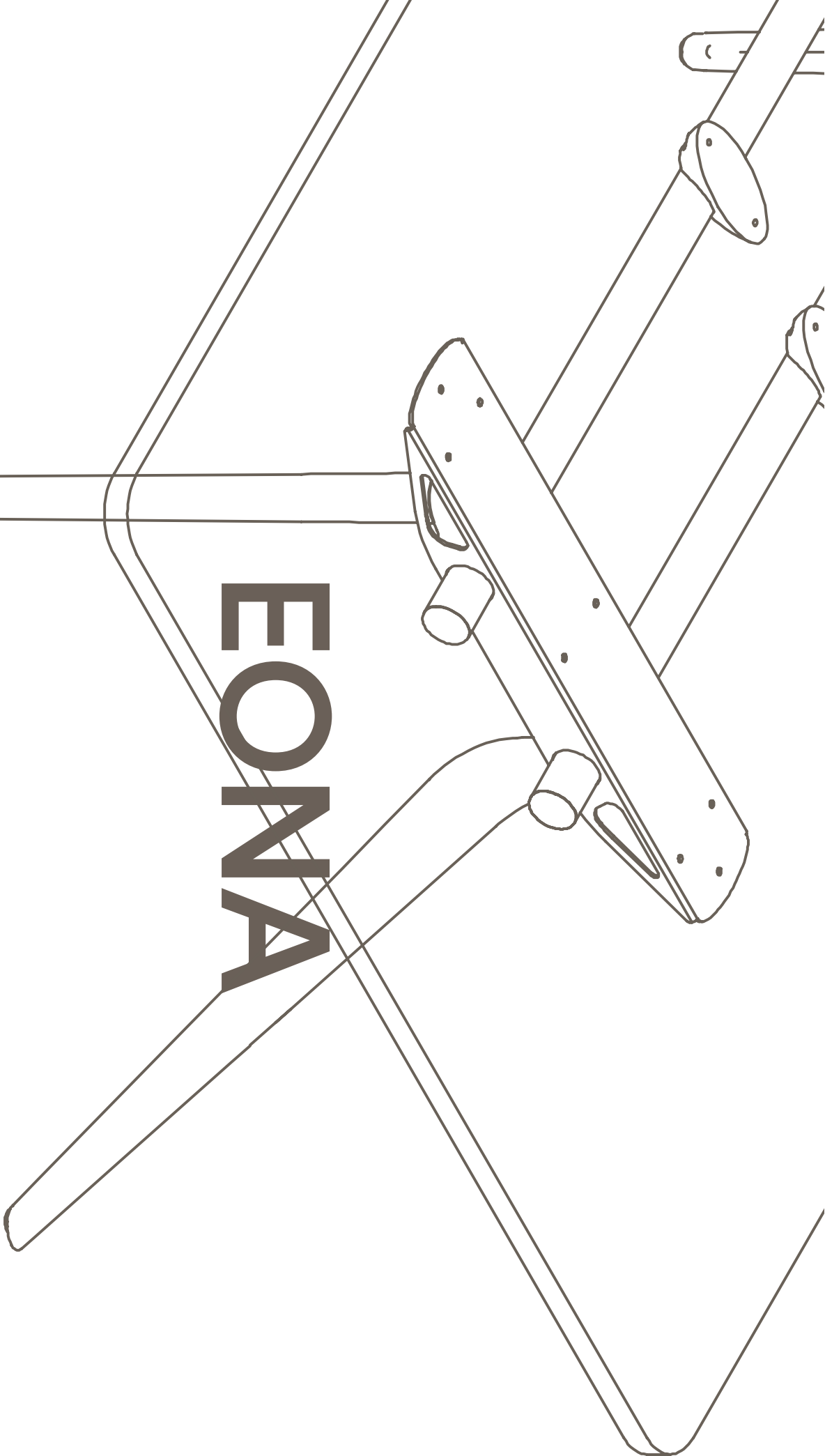
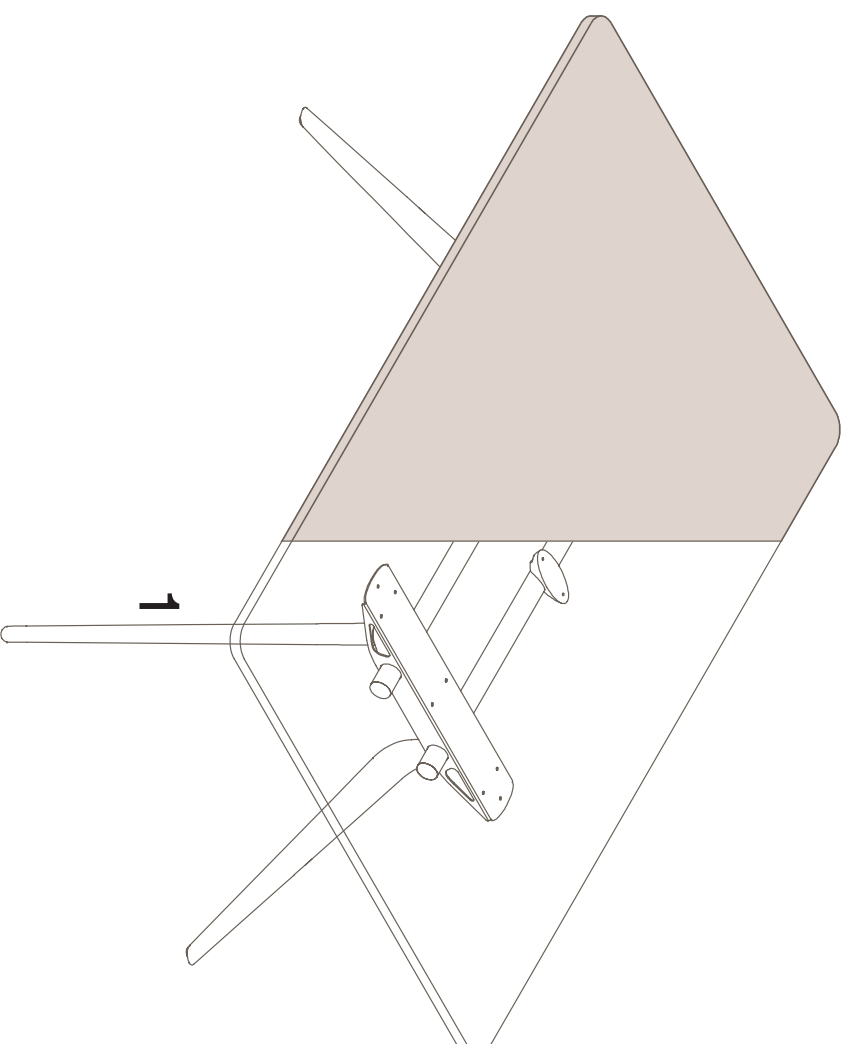


Table Finishes

Sleek aesthetics and timeless design make EONA ideal for the conference or boardroom, while its flexible nature allows for customisable leg positioning and post-installation adjustments – so you can reuse your EONA table for various future applications.

1. Frame Finishes

EONA uses 100% post-consumer recycled aluminium for legs and leg support inserts. EONA aluminium frame is available in our current season powdercoat colours listed. Custom colours are also available.



Colours are representative only, please check with your Thinking Works consultant to view samples of any specific colour.

Tables Round / Square

Materials Information

Leg Finish

EONA legs are made from 100% post-consumer recycled aluminium.

- a. Polished - Standard
- b. Zanita
- c. Pink Salt
- d. Nocturenelle
- e. Minted
- f. Scotland Sky
- g. Green Smoke
- h. Folie
- i. Axel
- j. Blanc
- k. Noir

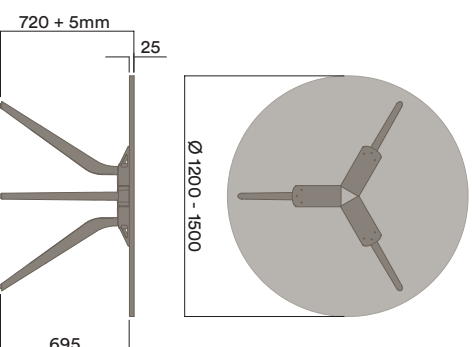
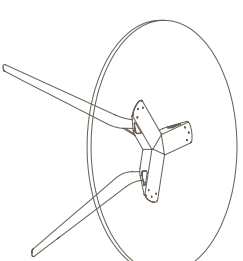
Frame Finish

EONA aluminium frame is available in polished chrome as standard. Our current season powdercoat colours are listed and custom colours are available.

- a. Black Powdercoat

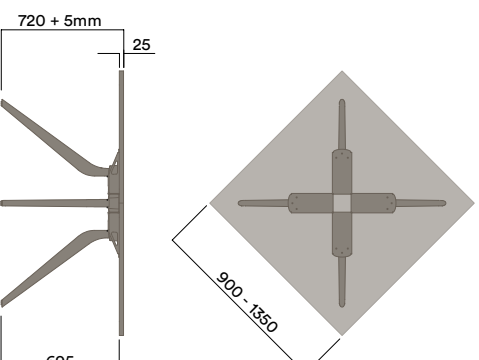
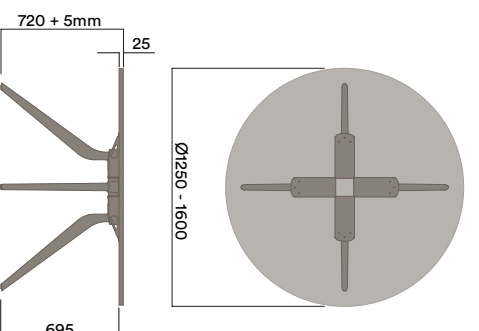
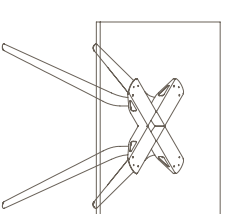
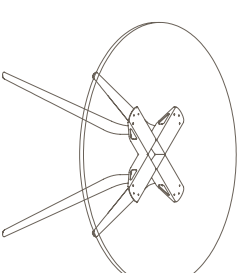
E-3000

720 (standard Height)



E-4000

720 (standard Height)



Maximum inc. worktop
Maximum Point Load
Seats

90kg
30kg
3-4

Tables Rectangle

Materials Information

Leg Finish

Aluminium Legs

- a. Polished - Standard
- b. Zanilla
- c. Pink Salt
- d. Nocturenelle
- e. Minted
- f. Scotland Sky
- g. Green Smoke
- h. Folie
- i. Axel
- j. Blanc
- k. Noir

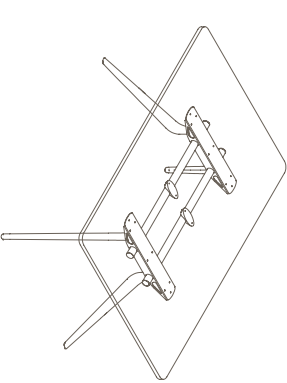
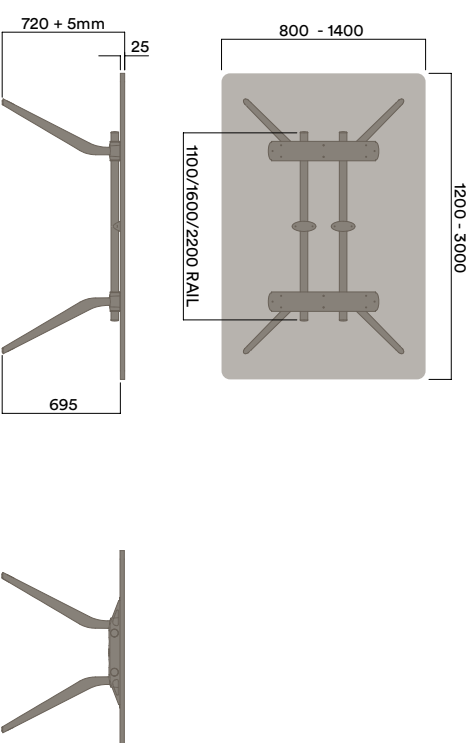
Frame Finish

Steel Top Horn and Rails

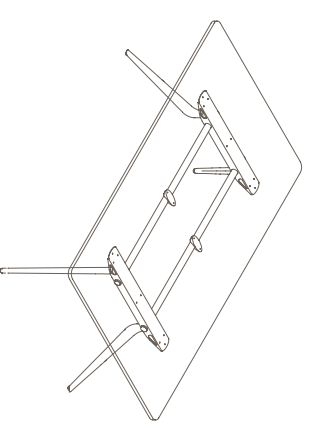
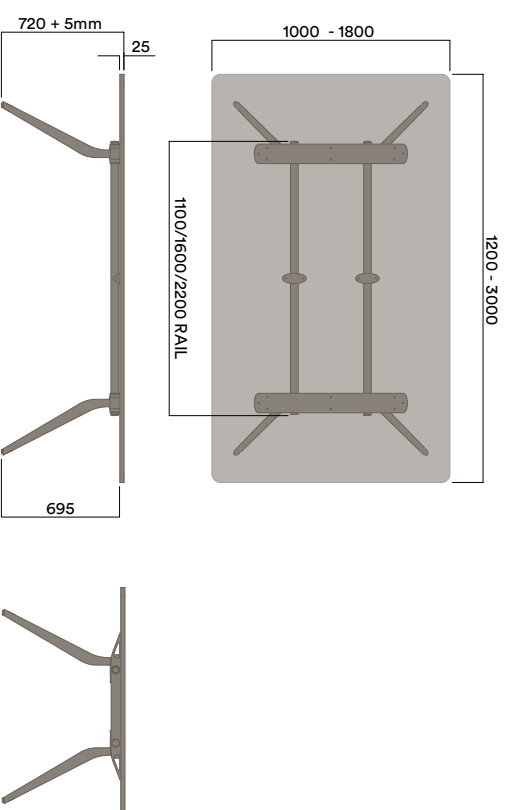
- a. Black Powdercoat

E-1211, E-1216, E-1222

720 (standard Height)



E-1211-XL, E-1216-XL, E-1222-XL 720 (standard Height)



Maximum inc. worktop
Maximum Point Load
Seats

100kg
30kg
4-8

Tables Rectangle

Materials Information

Leg Finish

Aluminium Legs

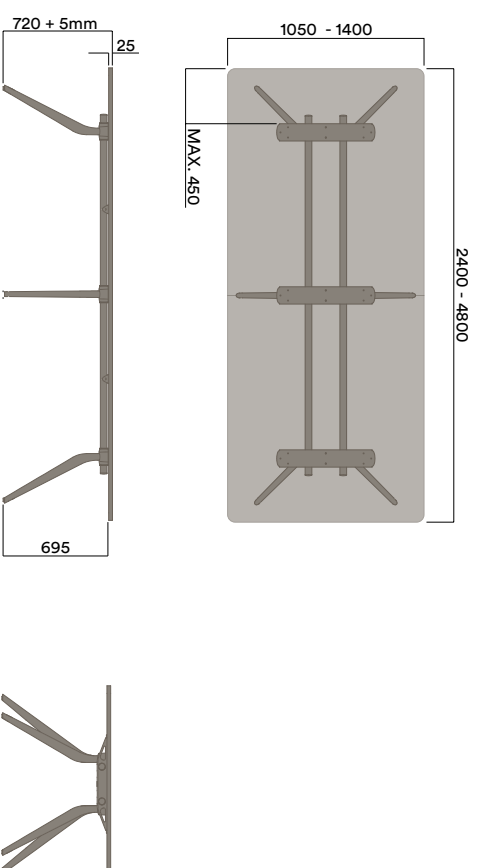
- a. Polished - Standard
- b. Zanilla
- c. Pink Salt
- d. Nocturenelle
- e. Minted
- f. Scotland Sky
- g. Green Smoke
- h. Folie
- i. Axel
- j. Blanc
- k. Noir

Frame Finish

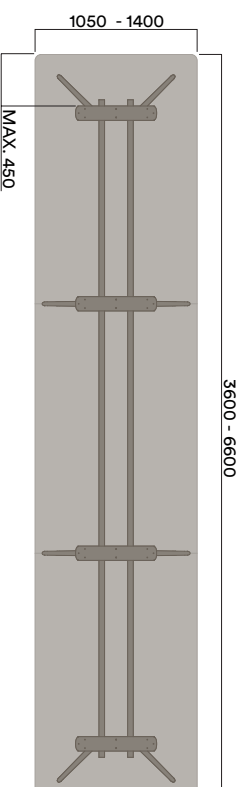
Steel Top Horn and Rails

- a. Black Powdercoat

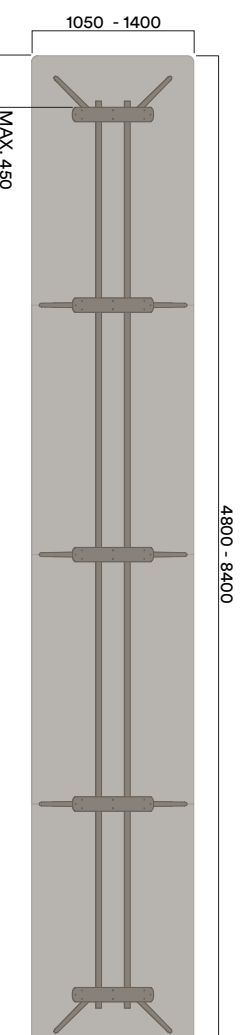
E-1300 6 Leg



E-1400 8 Leg



E-1500 10 Leg



Maximum inc. worktop
Maximum Point Load
Seats

160kg
30kg
6 - 24

Tables Rectangle

Materials Information

Leg Finish

Aluminium Legs

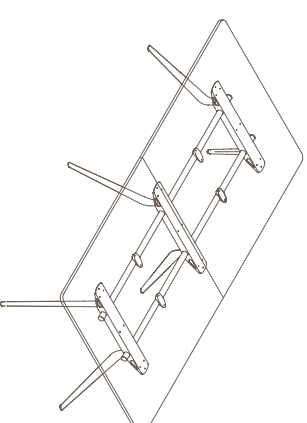
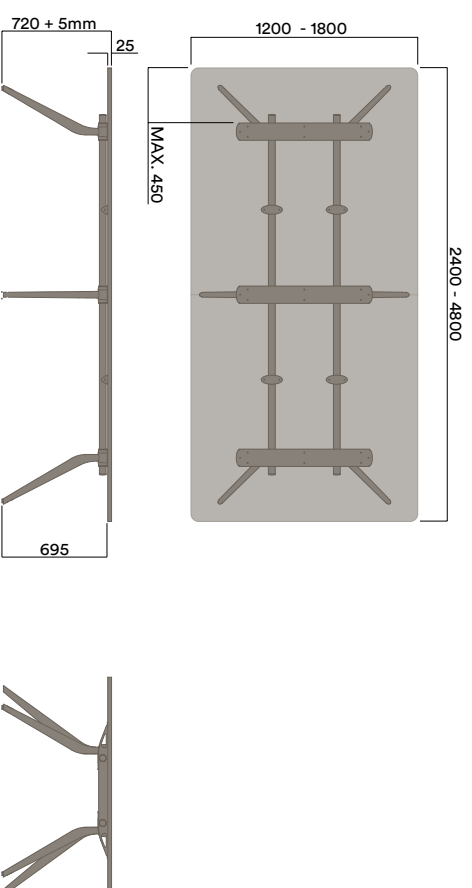
- a. Polished - Standard
- b. Zanilla
- c. Pink Salt
- d. Nocturenelle
- e. Minted
- f. Scotland Sky
- g. Green Smoke
- h. Folie
- i. Axel
- j. Blanc
- k. Noir

Frame Finish

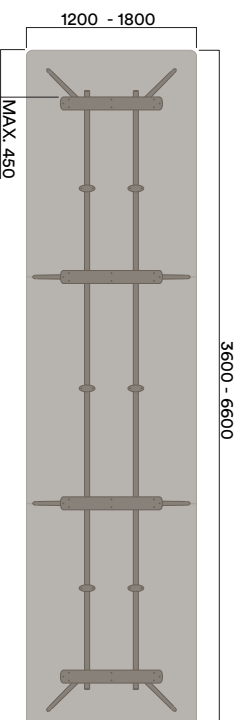
Steel Top Horn and Rails

- a. Black Powdercoat

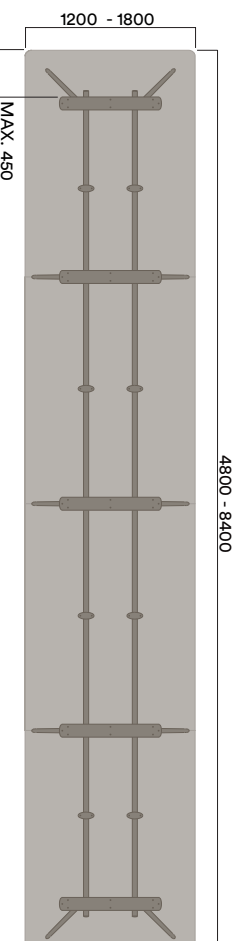
E-1300-XL 6 Leg



E-1400-XL 8 Leg



E-1500-XL 10 Leg



Maximum inc. worktop
Maximum Point Load
Seats

160kg
30kg
6 - 24

Tables Features

Materials Information

Leg Finish

Aluminium Legs

- Polished - Standard
- Zanilla
- Pink Salt
- Nocturenelle
- Minted
- Scotland Sky
- Green Smoke
- Folie
- Axel
- Blanc
- Noir

Frame Finish

Steel Top Horn and Rails

- Black Powdercoat

Top Horns

Additional Top Horns can be purchased to provide adequate worktop support on odd worktop splits.

Top Horns available to suit standard and XL width EONA frames.

Dropdown Top Horns

Additional Dropdown Top Horns can be purchased to provide placement of powerboxes without frame interference.

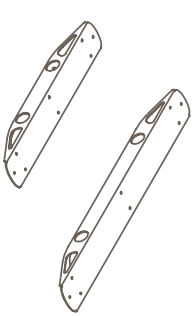
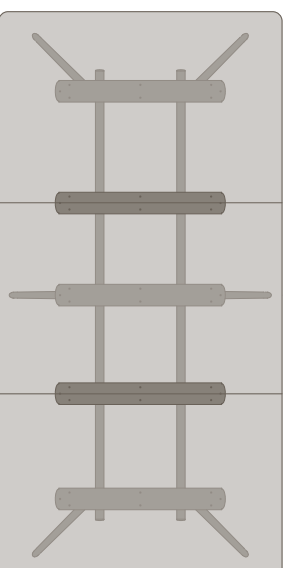
Standard and custom Dropdown Horns available upon request.

Leg Stances

Stance of EONA legs can be installed at either narrow or wide stance at 3 angle options to suit odd worktop shapes and preferred leg clearances.

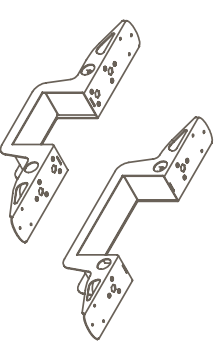
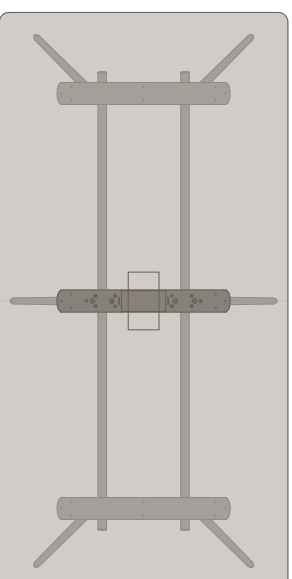
Worktop Management

Additional Top Horns



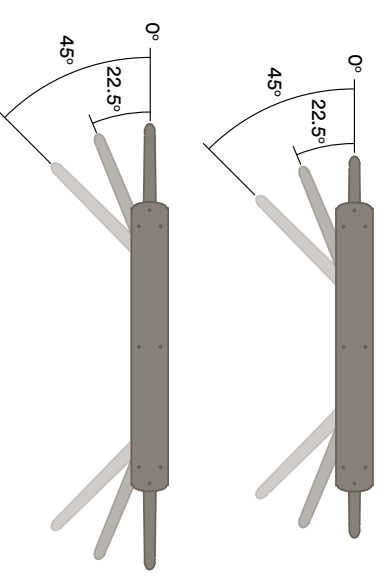
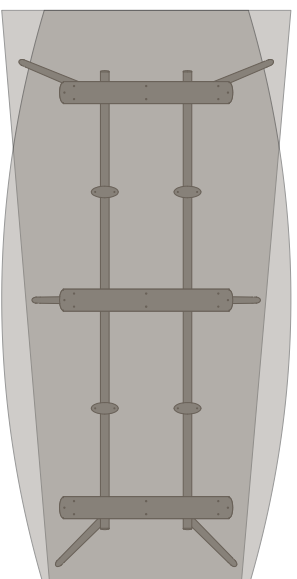
Powerbox Management

Dropdown Top Horn



Installation

Narrow - Wide Leg Stances



Specification

If you would like a sample set of any of our finishes, please call us on 61 (0)2 9726 7177 or e-mail at sales@thinkingw.com.

Due to our policy of continuous product development, specifications and finishes may change without prior notice.

Sustainability Policy

We realise the importance of responsible business practices and have in place numerous product and company sustainability certifications. We would encourage you to download our annual Sustainability Report from the Thinking Works website to get a full overview of our sustainability program.

Thinking Works
© Copyright 2018
All right reserved

Thinking Works
25 Helles Avenue
Moorebank
New South Wales 2170

www.thinkingw.com
61 (0)2 9726 7177
sales@thinkingw.com