

A-HDA-0818

Technical Specifications

Heavy Duty Monitor Arm

General Features

Minimum and Maximum Load:

8kg (17.6lbs) - 18kg (40 lbs)

Included Hardware:

All fasteners and hardware included

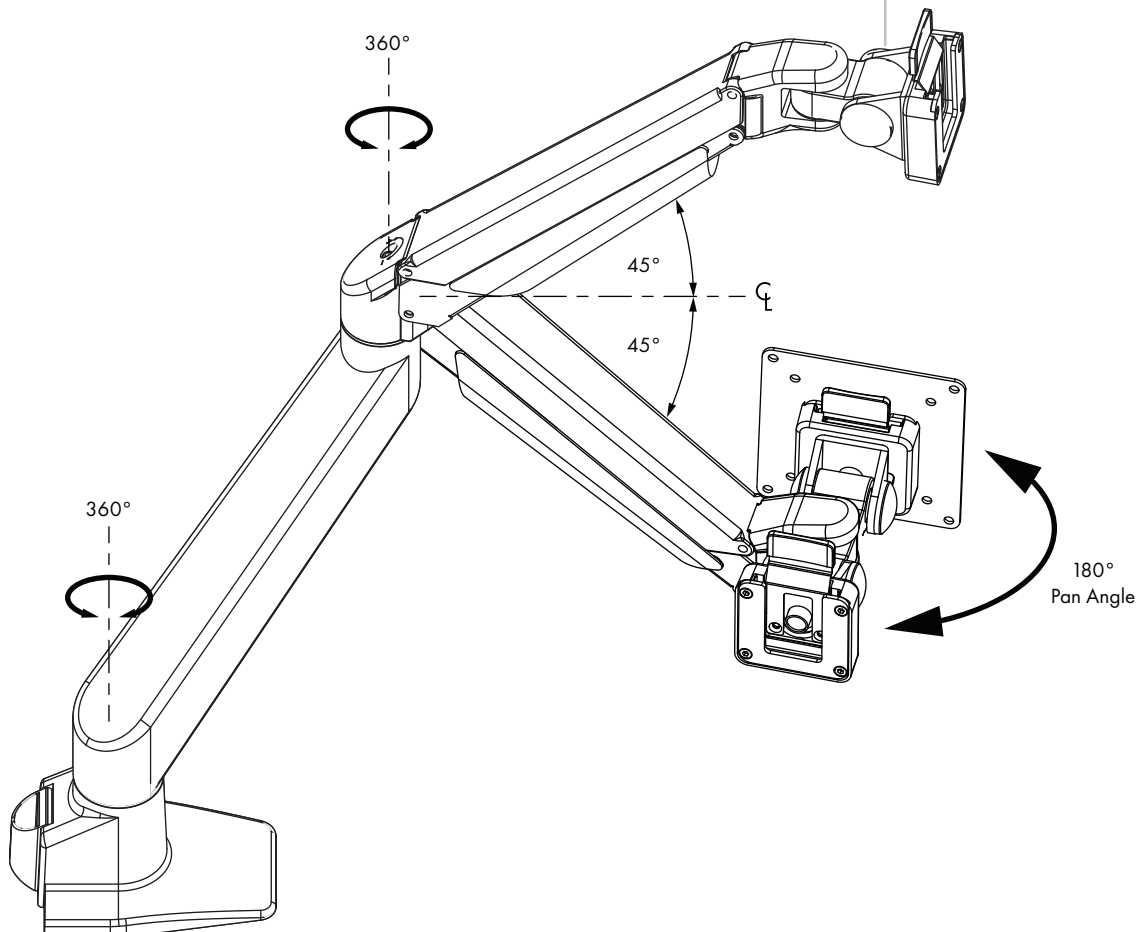
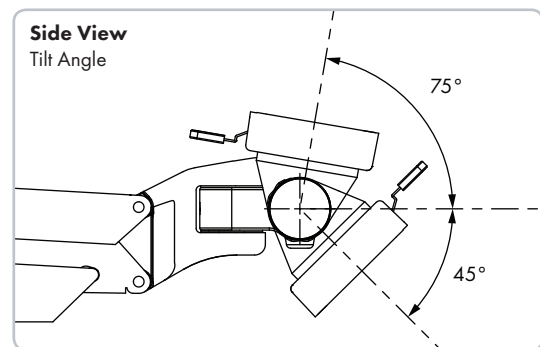
Colours:

Black

Warranty:

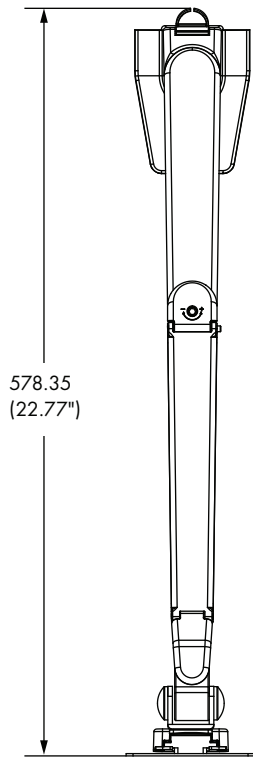
5 years limited

Range of Movement - Rotational & Angular

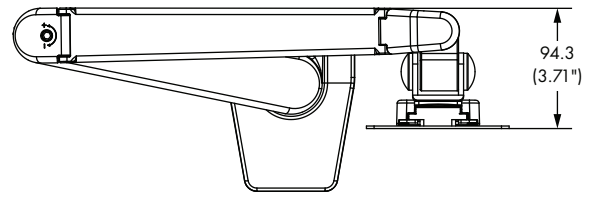


Heavy Duty Arm | Range of Movement - Arm Extension

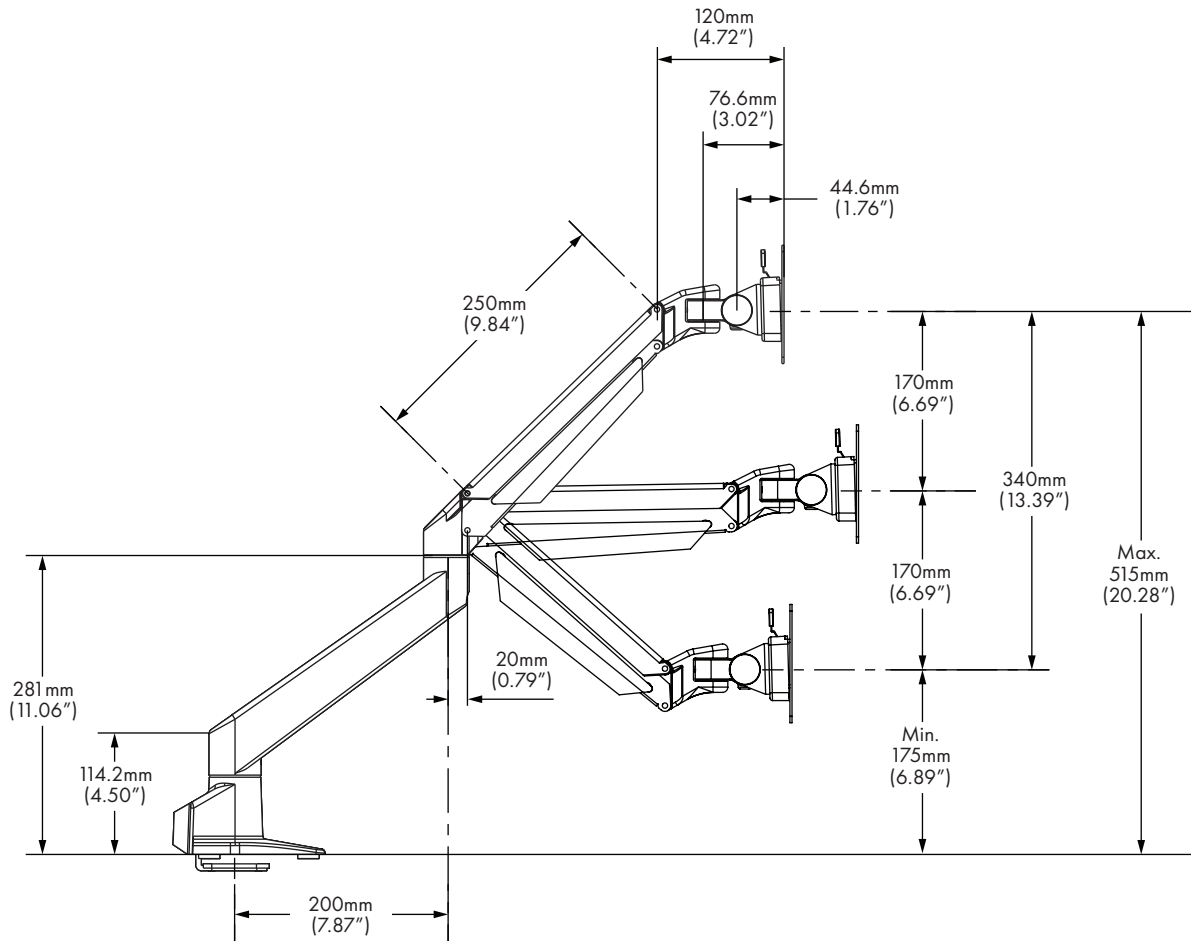
Top View
Maximum Extension



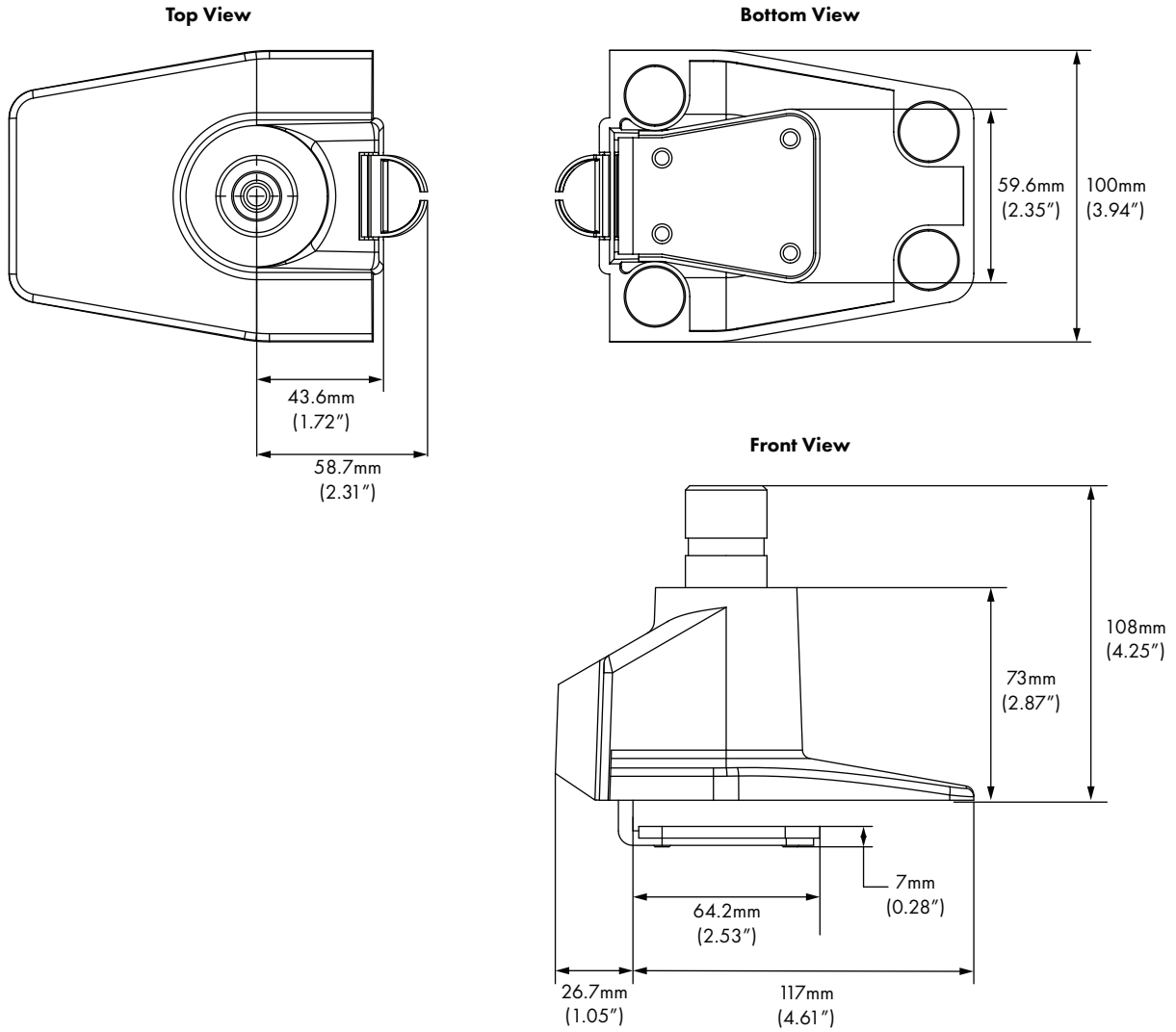
Top View
Minimum Extension



Heavy Duty Arm | Range of Movement - Arm Dimensions



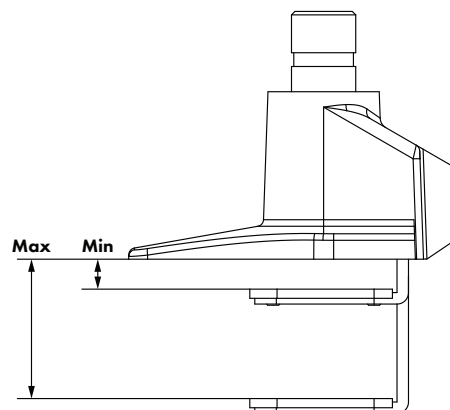
Desk Clamp Mount - Dimensions



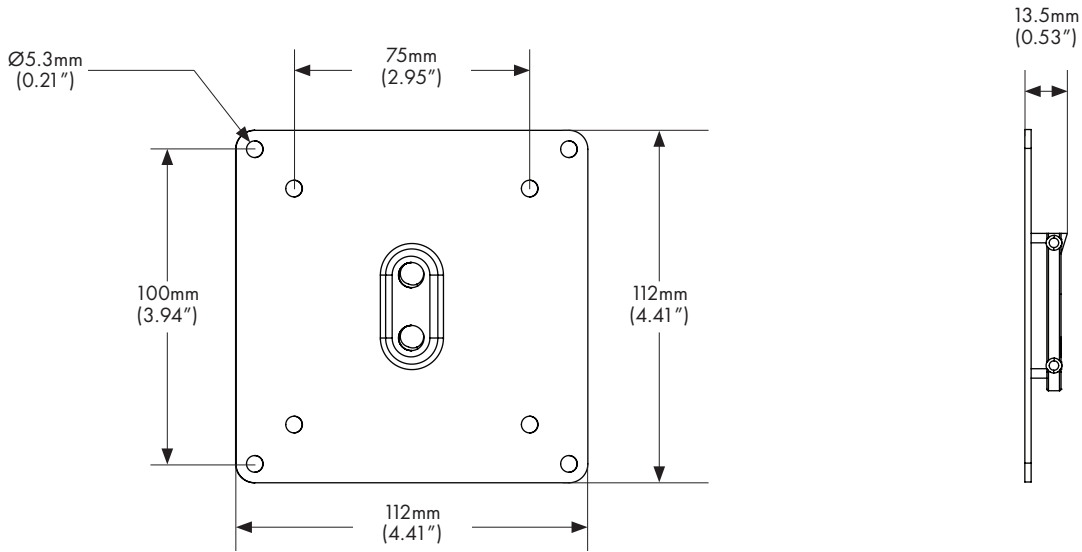
Important! Any mounting surface must be capable of supporting the combined weight of all Atdec Heavy Duty Arm products and attached screens/devices. If in doubt, contact your mounting surface supplier.

Note: These dimensions apply for both Desk Clamp and Grommet Mount configurations

Minimum 10mm (0.39")
Maximum 50mm (1.97")



VESA Mounting Bracket



Bolt-Through Mount - Dimensions

