

Okidoki

Specification Guide

Okidoki

Who says you can't mix
business with pleasure?

Okidoki could be
brightening the office
one day, then bringing
its casual cool to your
home the next. In any
environment, its cheeky
personality is always
on display.

Okidoki

Stools

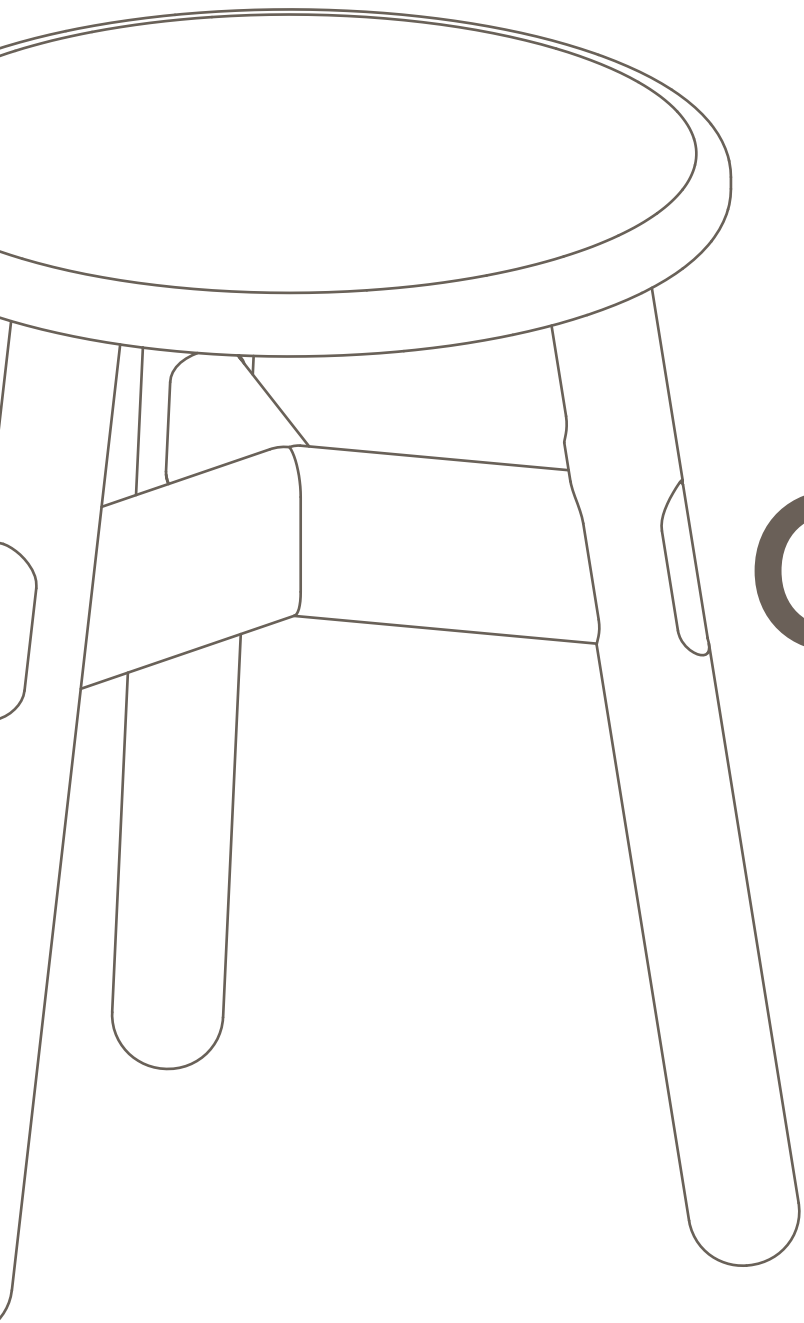
5-7



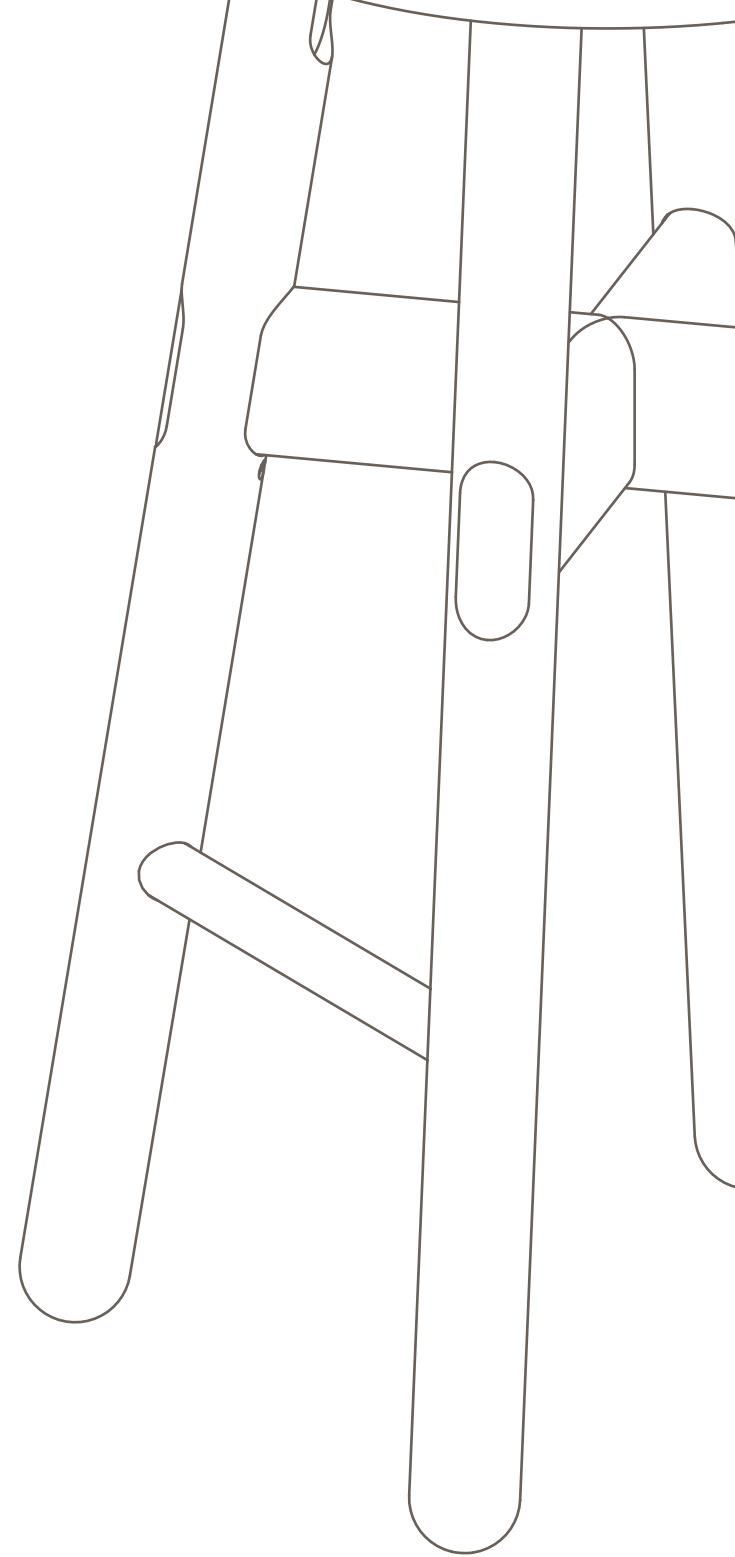
Chairs

8-9





Okidoki



Stools Finishes

Featuring solid timber legs available in Ash, Walnut, Black or White, the timber colour range is designed to either compliment or contrast the steel and aluminium framework.

1. Stool

Featuring timber legs available in Ash, Walnut and premium finishes of Black or White solid colour with exposed timber grain, the legs can be finished to either compliment or contrast the steel and aluminium framework and footrest.



2. Frame Finishes

Okidoki steel and aluminium frame is available in our current season powdercoat colours listed. Custom colours are also available.

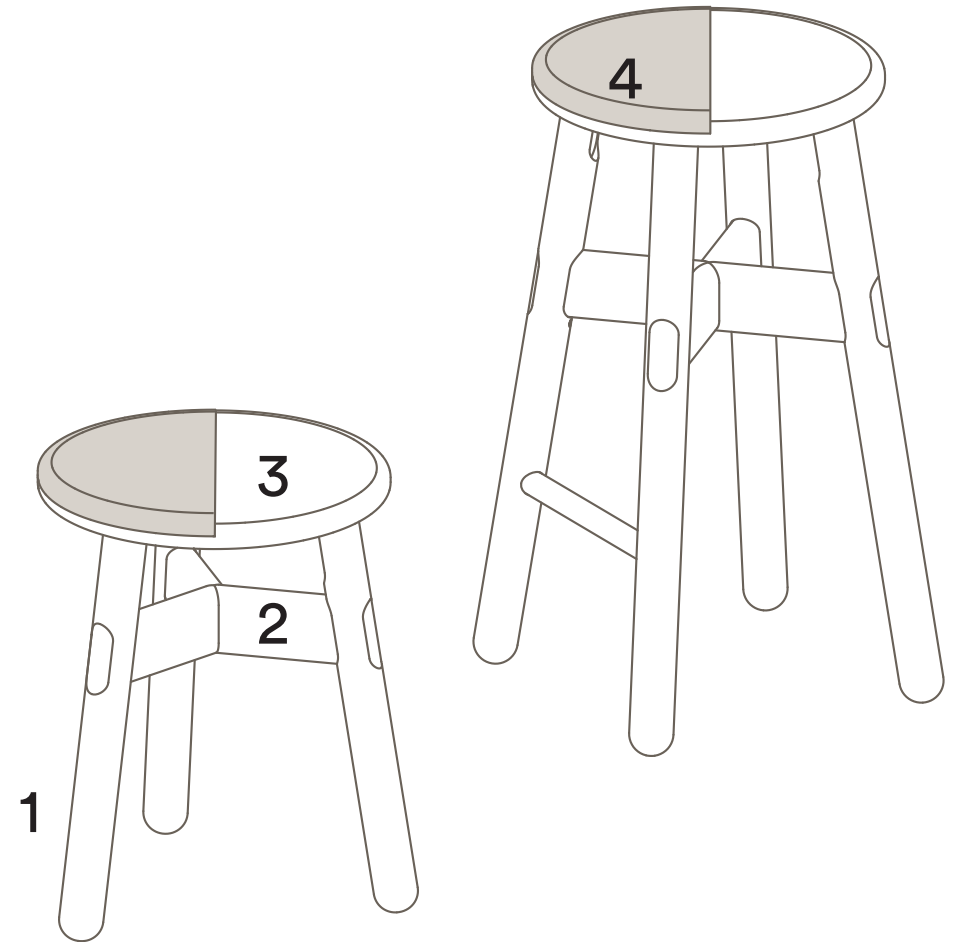


3. Seasonal Solid Colour

Okidoki Stools are available in solid colour with exposed timber grain to match our current season powdercoat colours.

4. Upholstered Seat Pad

Upholstered seat pads are an optional addition to the Okidoki Chair, bringing a softness and warmth to the design. Two fabric types are available.



Colours are representative only, please check with your Thinking Works consultant to view samples of any specific colour.

Stools Range

Materials Information

Legs

Timber Legs

- a. Ash - Standard
- b. Walnut
- c. Black solid colour with timber grain
- d. White solid colour with timber grain
- e. Seasonal solid colour with timber grain

Frame Finish

Powdercoat Steel & Aluminium Frame

- a. Zanilla
- b. Pink Salt
- c. Nocturenelle
- d. Minted
- e. Scotland Sky
- f. Green Smoke
- g. Folie
- h. Axel
- i. Blanc
- j. Noir

Seat Pad

Upholstered Seat Pad

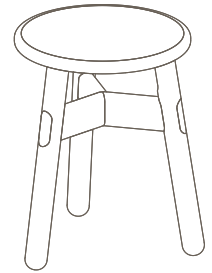
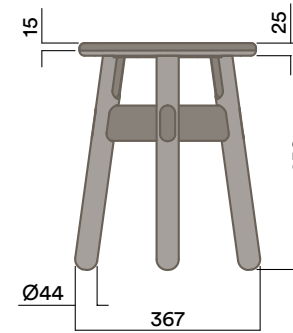
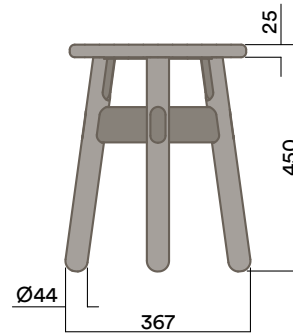
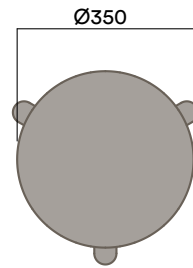
- a. Gabriel Europost 60999
- b. Customer supplied fabric

Maximum Load 1 100kg
Seats 1

OKS-1000

Low Stool

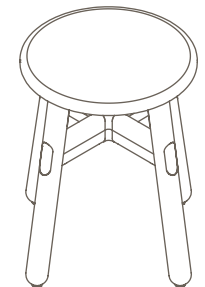
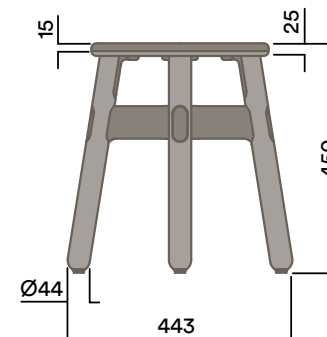
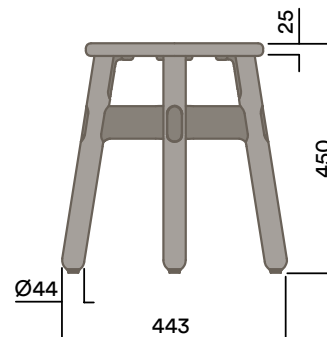
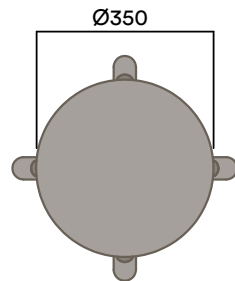
Upholstered Seat Pad



OKS-1040

4 Leg Low Stool

Upholstered Seat Pad



Stools Range

Materials Information

Legs

Timber Legs

- a. Ash - Standard
- b. Walnut
- c. Black solid colour with timber grain
- d. White solid colour with timber grain
- e. Seasonal solid colour with timber grain

Frame Finish

Powdercoat Steel, Aluminium Frame & Footrest

- a. Zanita
- b. Pink Salt
- c. Nocturnelle
- d. Minted
- e. Scotland Sky
- f. Green Smoke
- g. Folie
- h. Axel
- i. Blanc
- j. Noir

Seat Pad

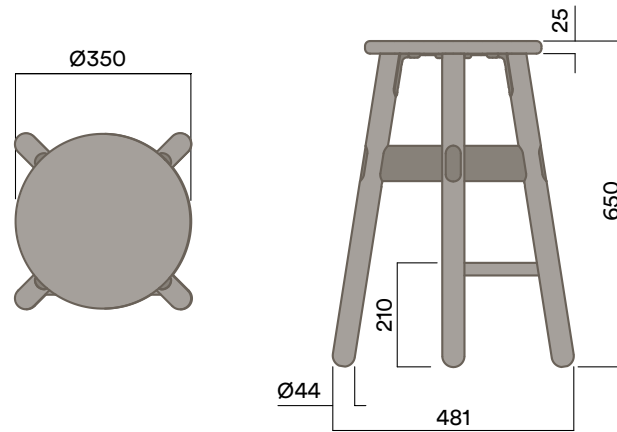
Upholstered Seat Pad

- a. Gabriel Europost 60999
- b. Customer supplied fabric

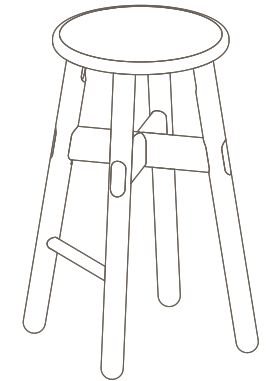
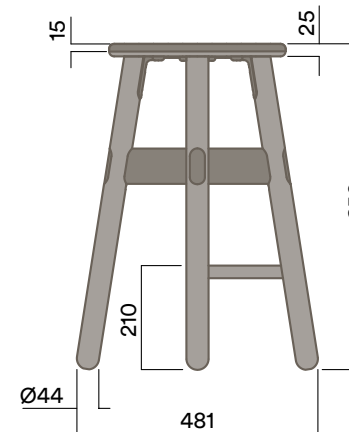
Maximum Load 1 100kg
Seats 1

OKS-1300

Mid Stool

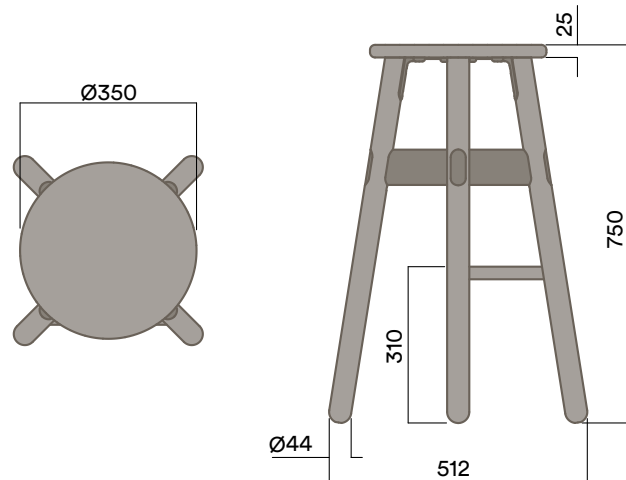


Upholstered Seat Pad

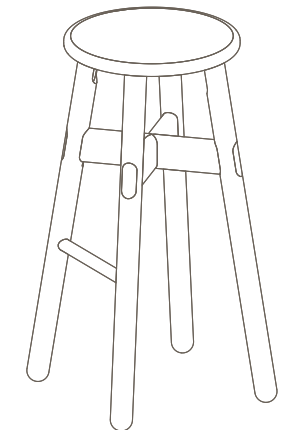
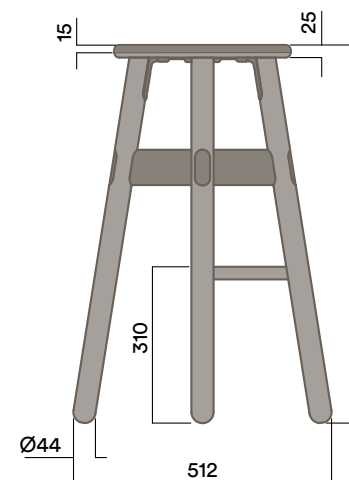


OKS-1500

High Stool



Upholstered Seat Pad



Chair Finishes

Solid and stylish, the Okidoki breakout chair features your choice of the vivid Okidoki colours in its dress cap – just enough to show off its fun character, while being sufficiently understated to work as a standalone product as well as a perfect match for your Okidoki table.

1. Stool

Featuring timber legs available in Ash, Walnut and premium finishes of Black or White solid colour with exposed timber grain, the legs can be finished to either compliment or contrast the steel and aluminium framework.



2. Dress Cap

Okidoki aluminium dress cap is available in our current season powdercoat colours listed. Custom colours are also available.

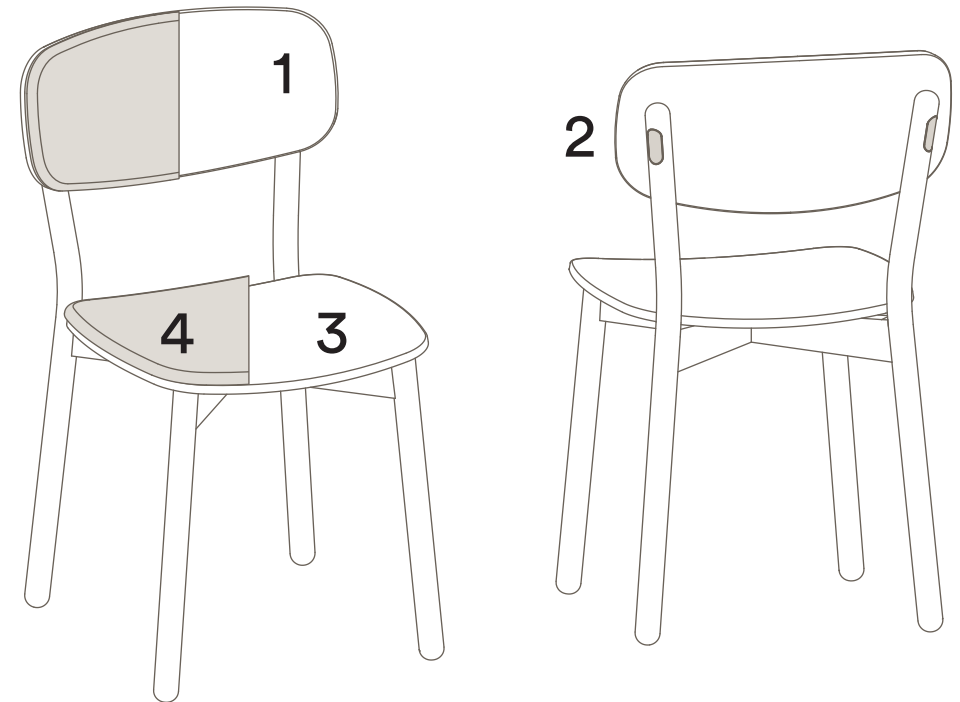


3. Seasonal Solid Colour

Okidoki Chairs are available in solid colour with exposed timber grain to match our current season powdercoat colours.

4. Upholstered Seat Pad

Upholstered seat pads are an optional addition to the Okidoki Chair, bringing a softness and warmth to the design. Two fabric types are available.



Colours are representative only, please check with your Thinking Works consultant to view samples of any specific colour.

Chair Range

Materials Information

Legs

Timber Legs

- Ash - Standard
- Walnut
- Black solid colour with timber grain
- White solid colour with timber grain
- Seasonal solid colour with timber grain

Dress Cap Finish

Aluminium Dress Cap

- Zanilla
- Pink Salt
- Nocturenelle
- Minted
- Scotland Sky
- Green Smoke
- Folie
- Axel
- Blanc
- Noir

Back & Seat Pad

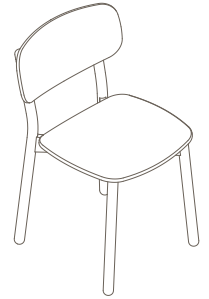
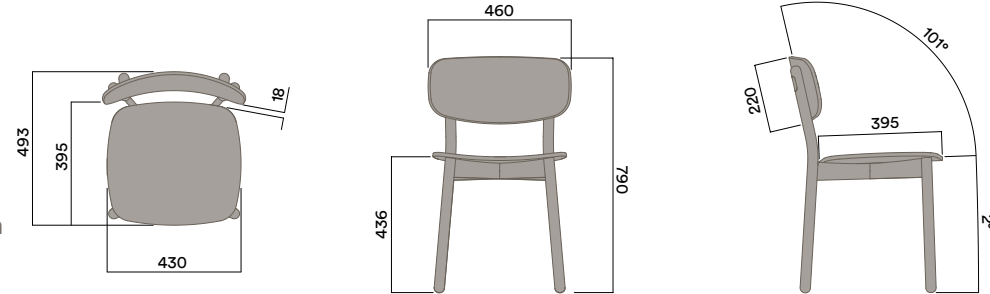
Upholstered Pad

- Gabriel Europost 60999
- Customer supplied fabric

Maximum Load 100kg
Seats 1

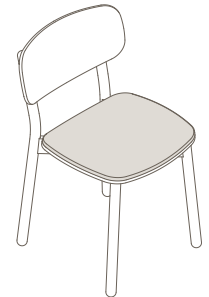
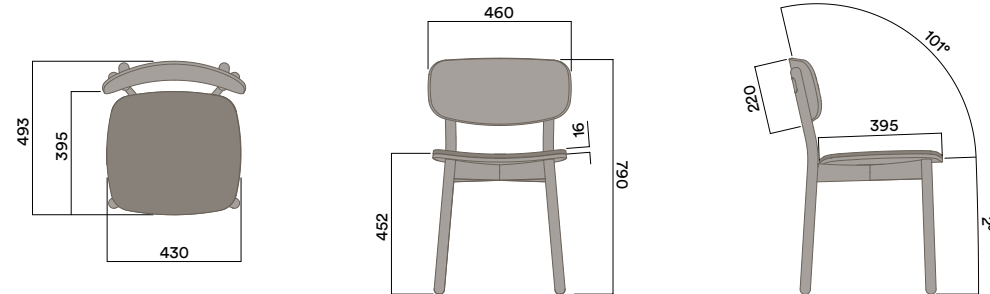
OKS-4000

Chair



OKS-4011 / OKS-4012

Chair - Seat Pad



OKS-4021 / OKS-4022

Chair - Back and Seat Pad

