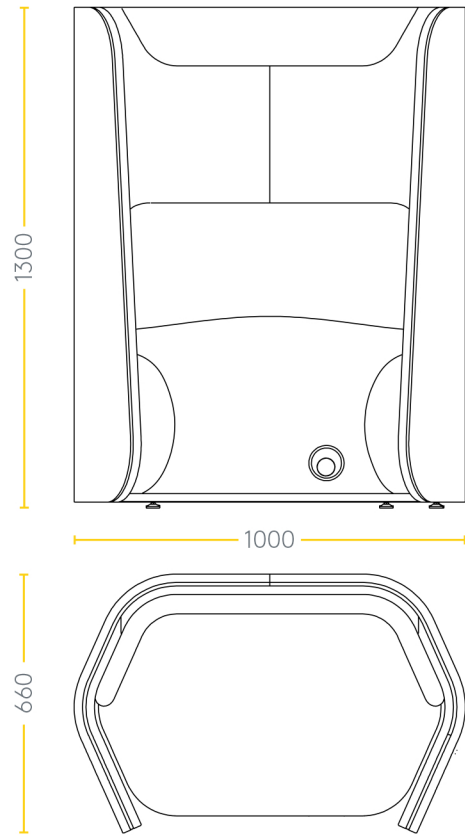




SCRUM ISOLATE

# SCRUM ISOLATE

Today's agile teams come together using daily scrums to improve communications, eliminate unnecessary meetings, and highlight and promote quick decision-making. Our Scrum\* range is designed to assist with five engaging settings.



## About

Scrum Isolate is a semi-private space to focus and reflect in comfort in open areas between "scrums\*." The high, wrap-around sides provide a level of visual and acoustic privacy. Position two isolate units together when working quietly as a pair.

## Dimensions

1000L x 660D x 1300H

## Options

- Available in a variety of fabrics.
- Power/data points available in seats as required for flexible working

## Features

- Soft, organic shapes with carefully crafted design detailing
- Welt-edging and crowned top seat bring a comfortable, lounge-like feel to the office
- High-quality materials and premium upholstery for long-lasting durability and acoustic privacy.
- Light-weight MDF frame
- Sits on adjustable-height glides
- Units nest for economical shipping
- 5 year warranty

## Designed and made in New Zealand.

*\*The Scrum analogy compares high-performing, cross-functional teams to the scrum formation used by rugby teams. A Daily Scrum is a short meeting held each day where members work closely together to review progress, support and empower one another, and ultimately push forward towards a common goal. View our other products in the PLN Group Scrum Range.*