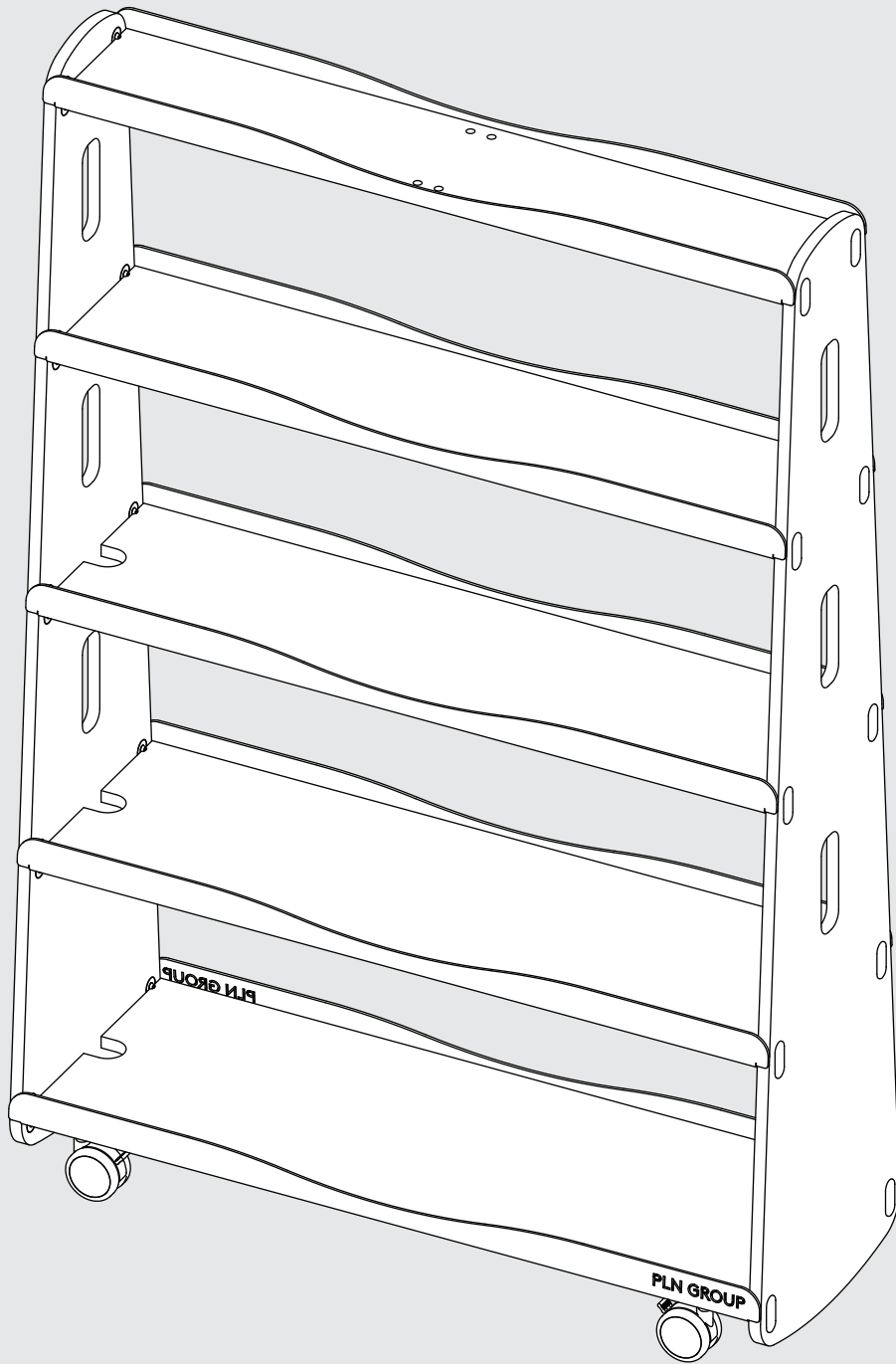


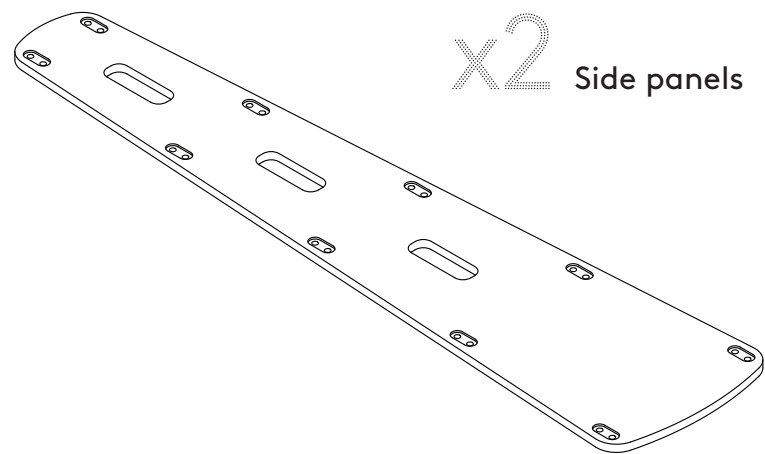
TM

Room

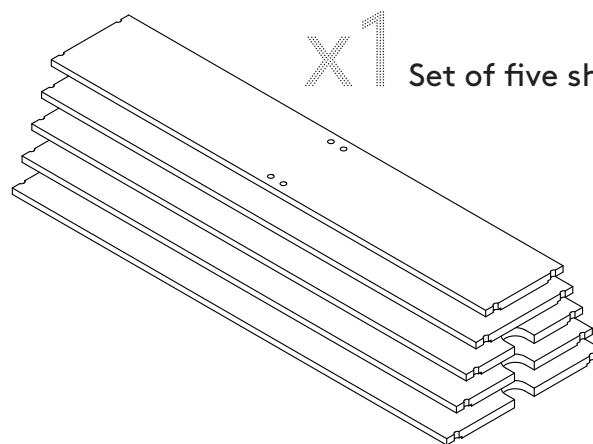
Assembly Instructions



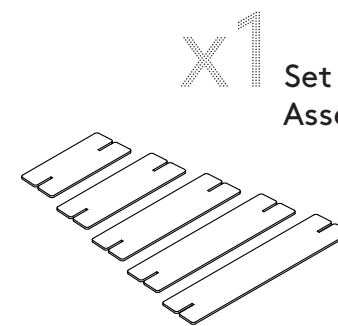
PLN GROUP



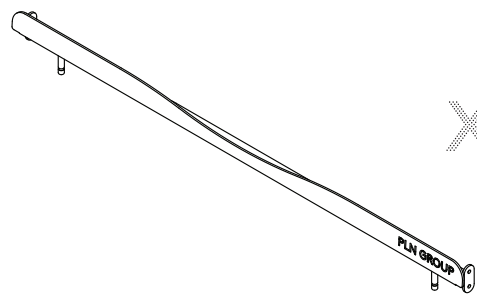
x2 Side panels



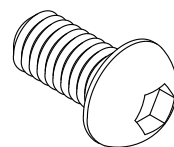
x1 Set of five shelves



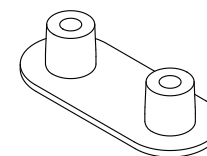
x1 Set of cardboard Assembly helpers



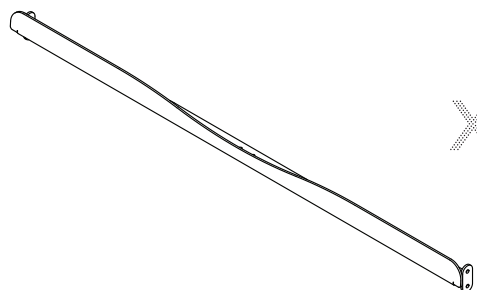
x2 Castor rails



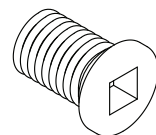
x40 M6 Button head



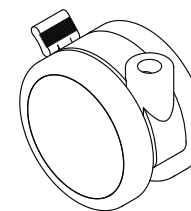
x40 Threaded clamps



x8 Standard rails

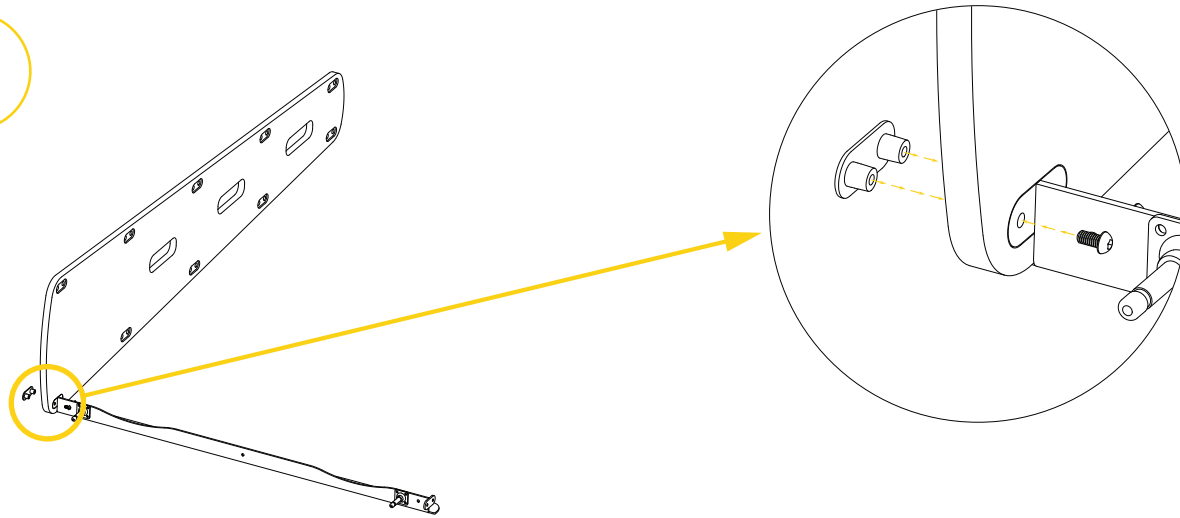


x30 Euro screw



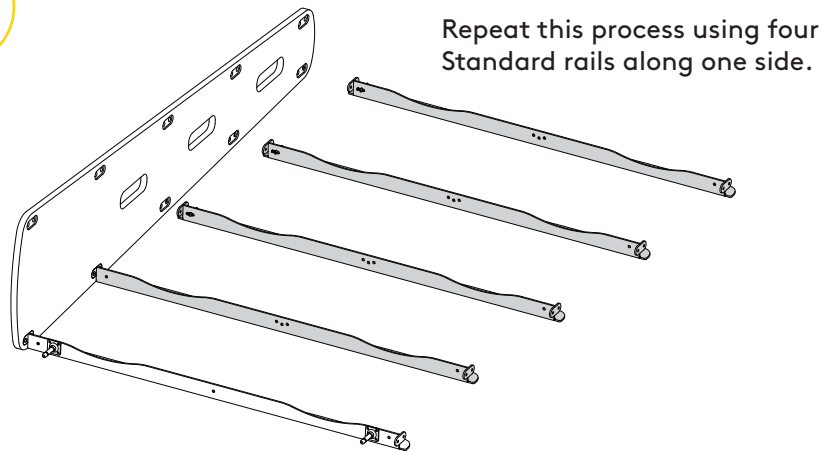
x4 Detached castors

1



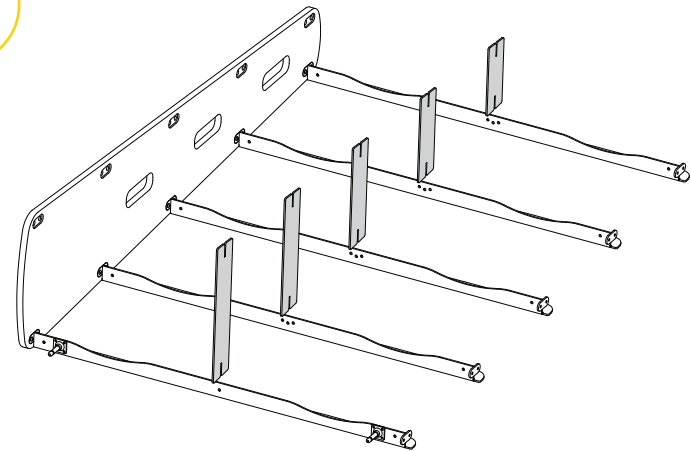
Slot one Castor rail into the bottom pocket of a side panel. Insert the clamp from the outside face and screw from inside with a M6 button head bolt.
(be sure to make it as tight as possible)

2



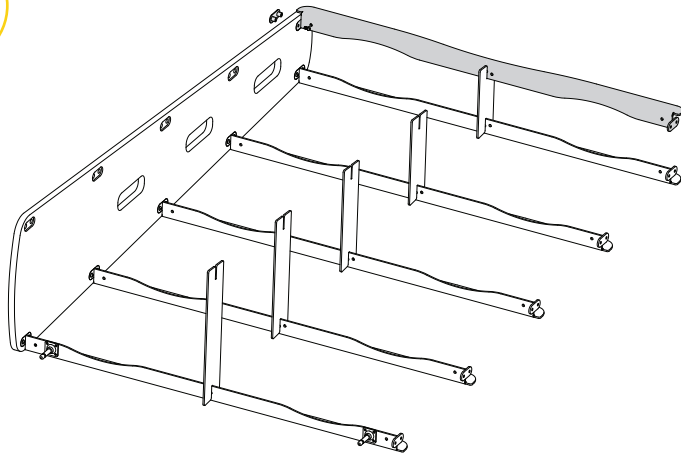
Repeat this process using four Standard rails along one side.

3



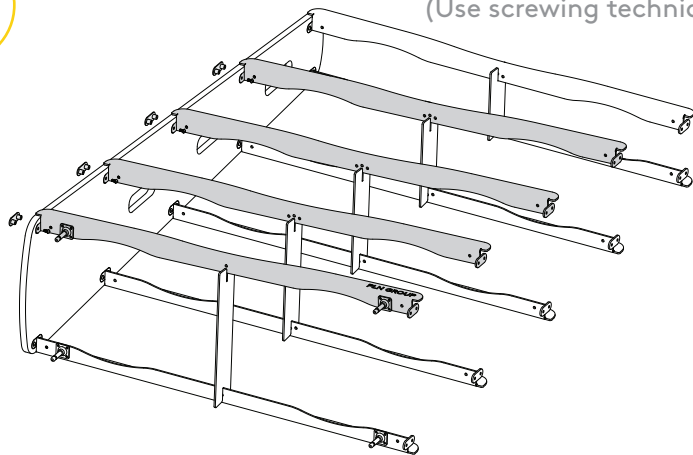
Wedge one of each Assembly helper onto the rails.
(Arrange from largest on the bottom to smallest at the top)

4



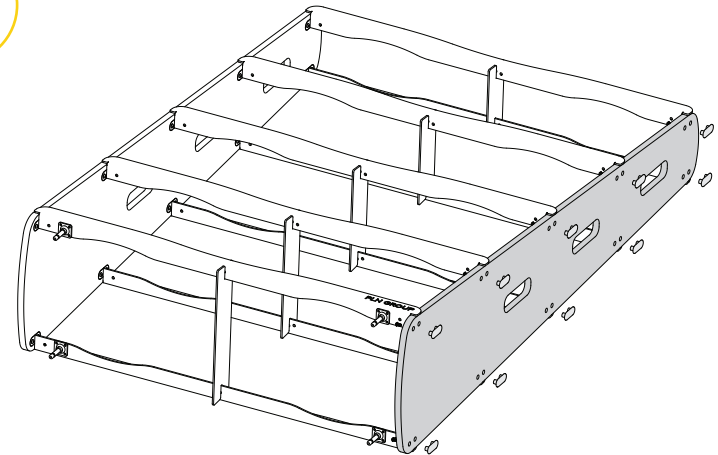
Start slotting the Standard rails into the same Side panel, also slot the rails onto the Assembly helper to help stabilise the rail through steps five to six.
(Use screwing technique from step one)

5



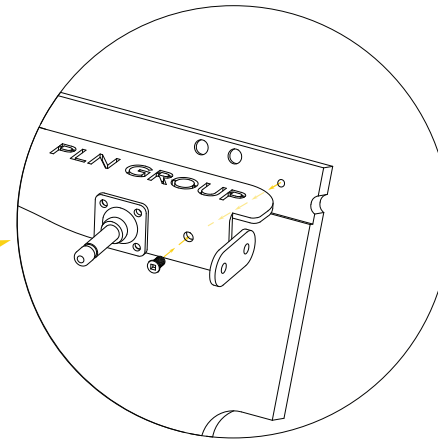
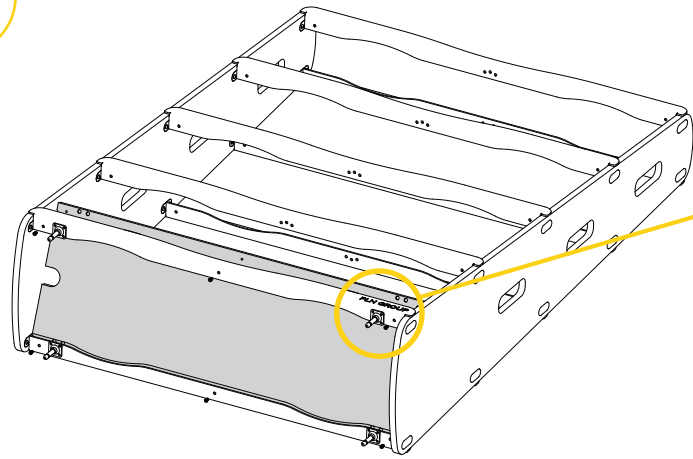
Repeat the process using the remaining Standard rails and the Bottom rail last at the bottom.
(Use screwing technique from step one)

6



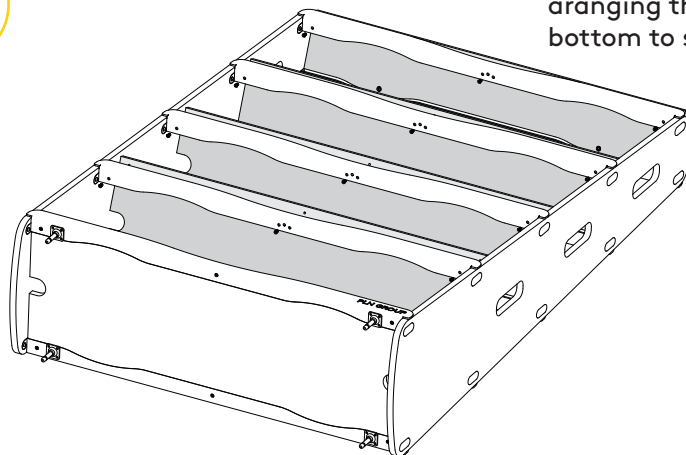
Push the remaining Side panel up to the open side. Be sure to align all of the rails into their corresponding pockets before screwing together.
(Use screwing technique from step one)

7



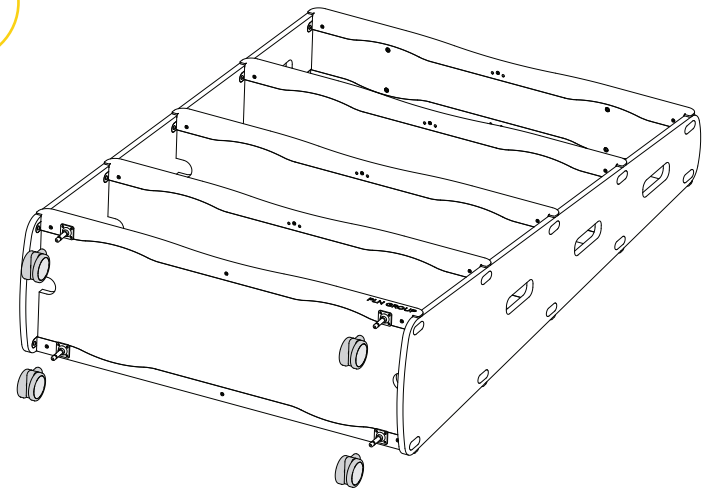
Remove Assembly helpers and insert largest shelf as shown. Screw in Euro screws through the pre-drilled holes in both the rail and bottom shelf until bound tightly together. (Do not over tighten)

8



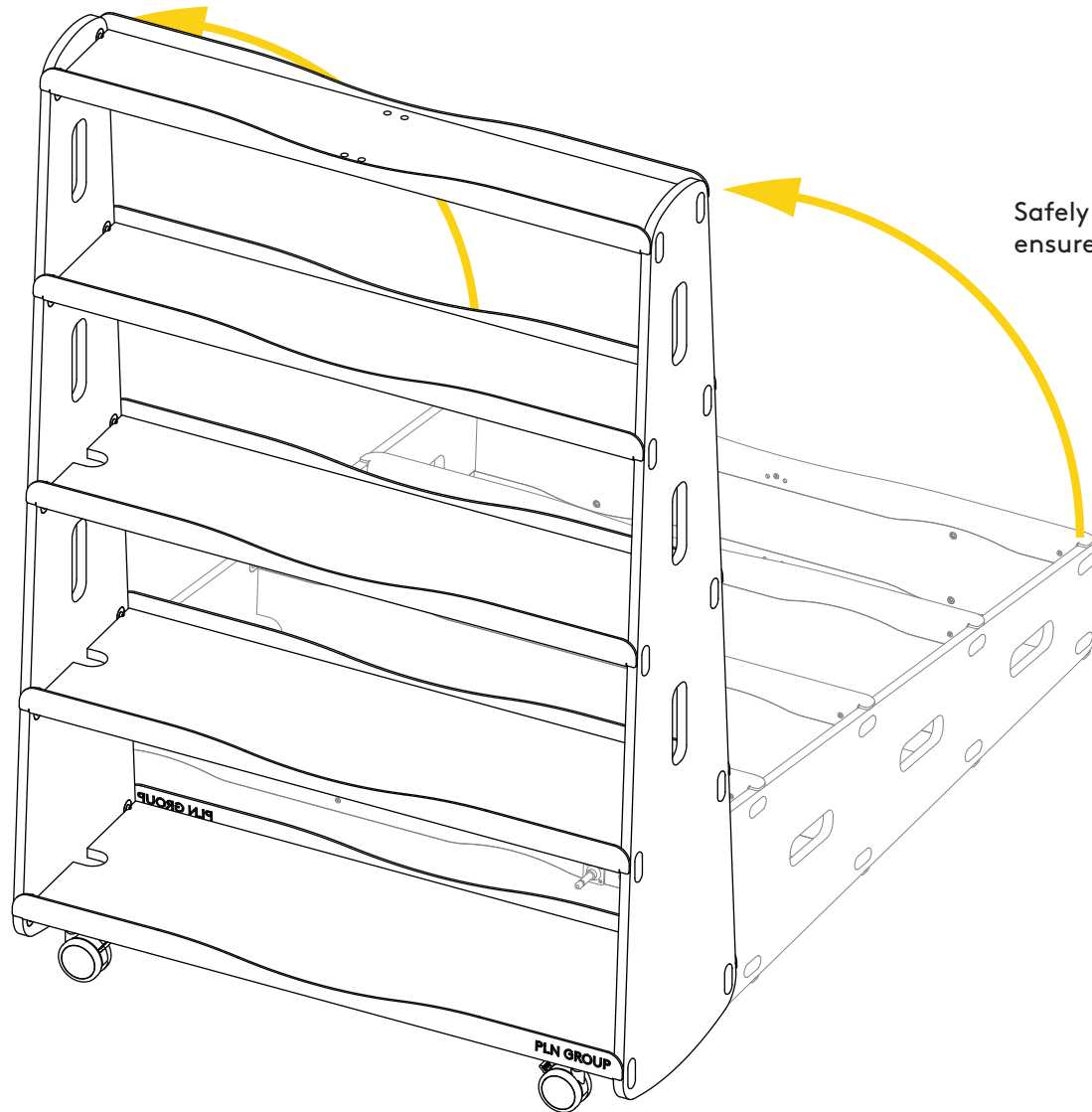
Repeat process on remaining shelves arranging them in order largest on bottom to smallest on top.

9



Insert each Castor into the bottom rail. Push hard until you feel it click into place and it rotates freely.

10



Safely perform a 2 person lift to the upright position as pictured, ensure castors are unlocked when moving from area to area.

- Note:
- Roam™ is not designed to be climbed on
 - Max Load = 150 kg
 - Do not exceed 45kg per shelf