



XL ELECTRIC LIFT MOBILE STAND

FPS1XL/EL/GG/EX



Take control of creative, presentation and collaboration work spaces. Salamander's beautiful and highly functional FPS Series Mobile Stands offer superior ergonomics complimenting any touch screen display with improved productivity, unrivaled flexibility and lifetime value.

A stylish, sleek and compact design moves easily between spaces. A thoughtful range of accessories provides even more utility and an improved user experience.

- Mobile stand for interactive display / touchscreen panel
- Motorized Electric Lift and wired remote control
- Designed for Disabled Person Accessibility (USA ADA Compliant)
- Supports most VESA compliant displays up to 300 lb (136 kg) including Microsoft 84" Surface Hub
- Ergonomic design. Adjustable height positioning provides best possible ergonomics and viewing.
- Superior mobility. High quality, commercial grade locking casters and integrated handles provide easy maneuverability and transport
- Fully concealed cable management allows clean and uncluttered installation
- Range of travel, Center of screen: Min - 38.16" (969 mm) and Max 63.75" (1619 mm)
- Storage for electronic components, peripherals and accessories.
- Telescopic design allows compact position for transport and storage
- Durable construction. Made in USA of powder coated steel, Linak Motor components, Powder coated and/or veneered MDF panels
- Options available for peripheral equipment mounting, retractable cable reel, secure equipment storage cover, keyboard tray and more.
- Limited Lifetime Warranty



Designed for Disabled
Person Accessibility
(USA ADA Compliant)



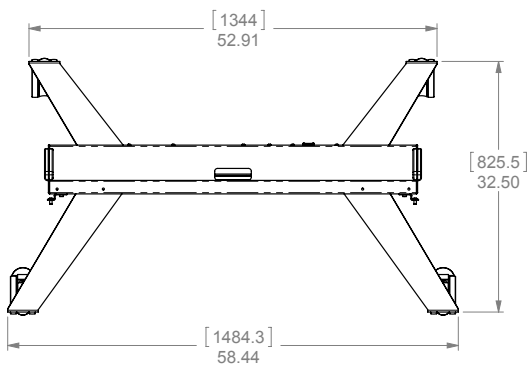
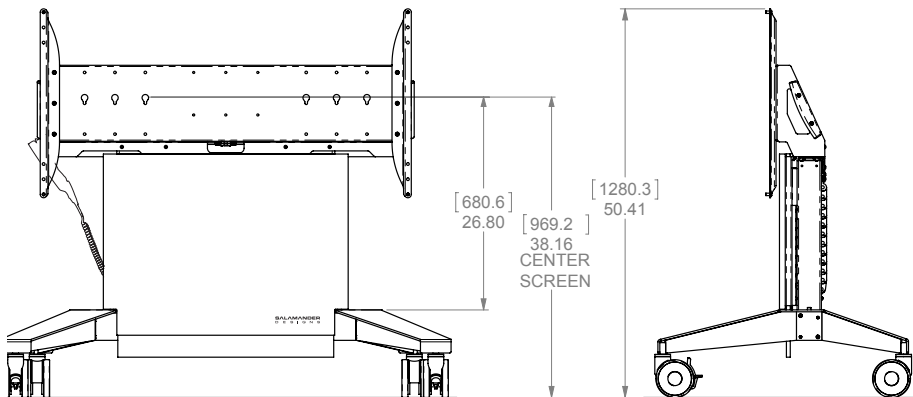
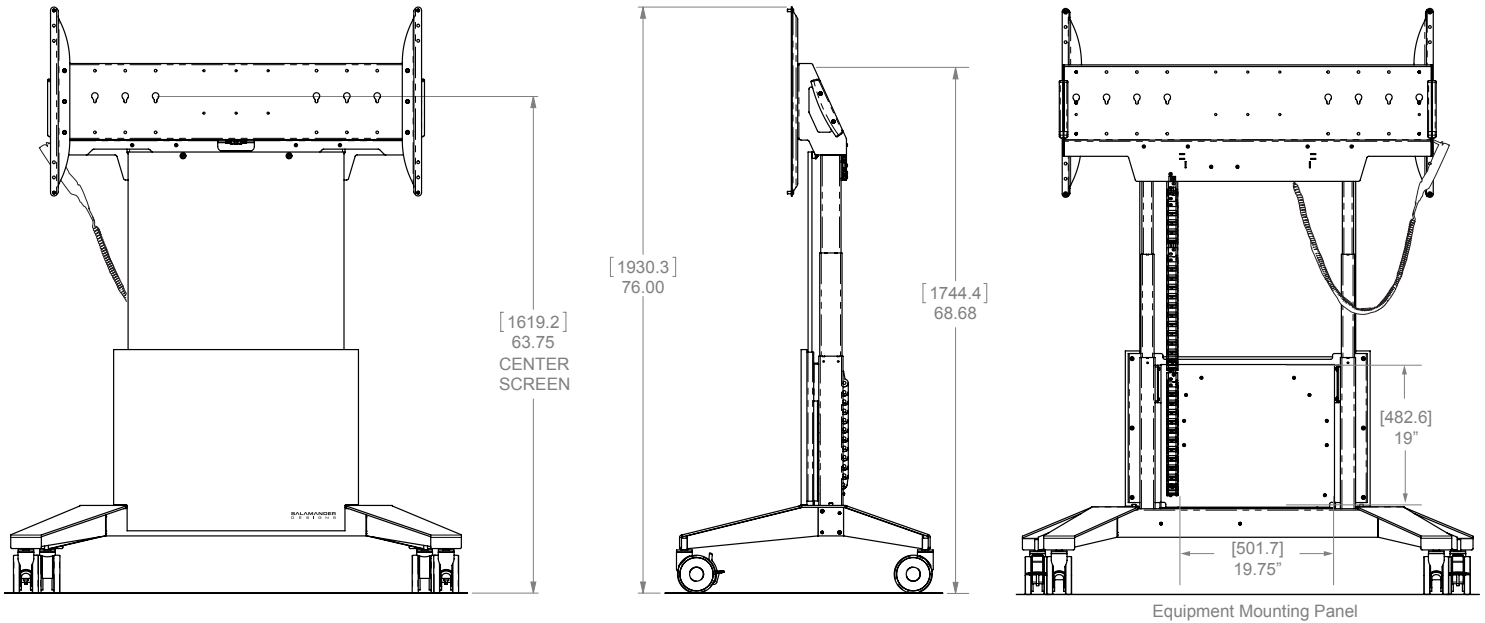
FPS1XL/EL/GG
E479586





XL ELECTRIC LIFT MOBILE STAND

FPS1XL/EL/GG/EX





XL ELECTRIC LIFT MOBILE STAND

FPS1XL/EL/GG/EX

PRODUCT SPECIFICATIONS	Metric (mm)	US/Imperial Inches	SHIPPING DIMENSIONS		
Length	1484.3	58.44	1,251 mm	49.25 inch	
Overall Height Range	1280.3 - 1930.3	50.41 - 76	1,048 mm	41.25 inch	
Center of Screen Range of Travel	969.2 - 1619.2	38.12 - 63.75			
Depth	825.5	32.5	368 mm	14.5 inch	
Weight	74.84 kg	165 lbs	86 kg	190 lb	
Max Load Capacity	136 kg	300 lbs			
UPC Number	634878507141				

VESA COMPLIANT MOUNT PATTERN

Horizontal - 400, 600mm,
800mm, 1000mm, 1200mm
Vertical - 400mm, 500mm, 600mm
Panel Mounting - M8 Machine Screws

CASTER WHEELS

5" (125mm) HD, Non Marking, Brakes on 2

ELECTRICAL INFORMATION

Input: 90V - 240V ~, 48 Hz - 63HZ
Duty Cycle: 10% Max 2min / 18min

CABLE MANAGER CHAIN

1" x .75" x 34" (25 x 19 x 865mm)

POWER CABLE

IEC - Type Class 2, 2-prong

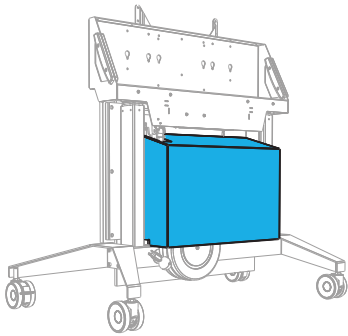
8 Feet (2.5 M) - USA Type A
6 Feet (2 M) - EU Type C
6 Feet (2 M) - UK Type G
6 Feet (2 M) - AUSTRALIA & NEW ZEALAND Type I



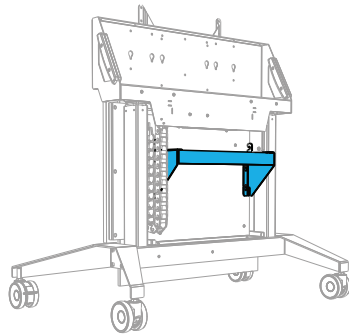


XL ELECTRIC LIFT MOBILE STAND

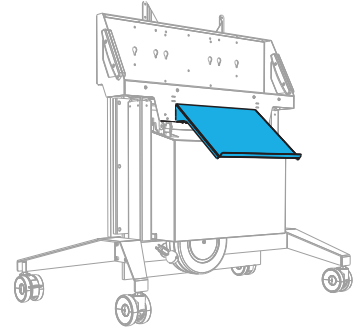
FPS1XL/EL/GG/EX



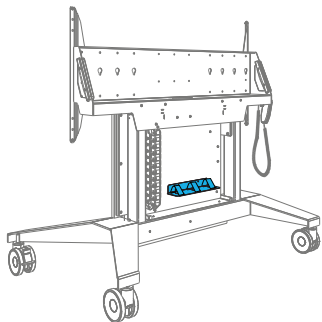
**Equipment Storage
Cover- Graphite**
FPSA/SC/GT



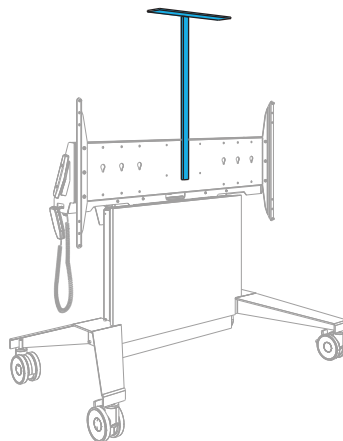
19" Rack Mounting 3 RU
RM/VR/3U



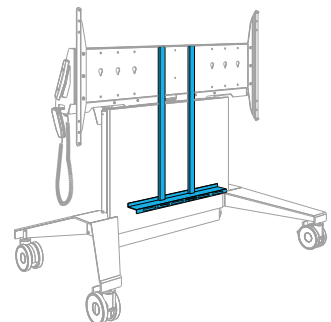
**Keyboard Storage
Shelf- Graphite**
FPSA/KS/GT



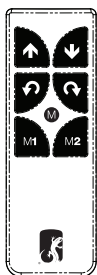
**Accessory Shelf
with Straps**
FPSA/AS1



Camera Mount Shelf
FPSA/CS



Speaker Bracket Kit
FPSA/SBK



**Wireless RF Remote
Control with Memory**
FPSA/RF1

ROAD CASE

FOR EASY DEPLOYMENT

Combine a mobile stand with a road case to provide secure and convenient transport of your display.

Accommodates Stand & Display

FPSA/RC/XL

